

Color Labs 100% Guaranteed Inks®

FHP-56 Easy Refill Kit

Designed to refill HP 56 (C6656AN) & HP 27 (C8727AN) black inkjet cartridges.

This product was not manufactured by Hewlett Packard.

GUARANTEE:

Color Laboratories guarantees this product to be free from defective materials and workmanship and we will honor all retailer replacement or refund policies for defective products. Our liability is limited to the replacement or refund of any product found to be defective under normal use. This guarantee complies with U.S. Federal Trade Commission Regulations. Please contact your retailer for complete details.



Refilling Tips:

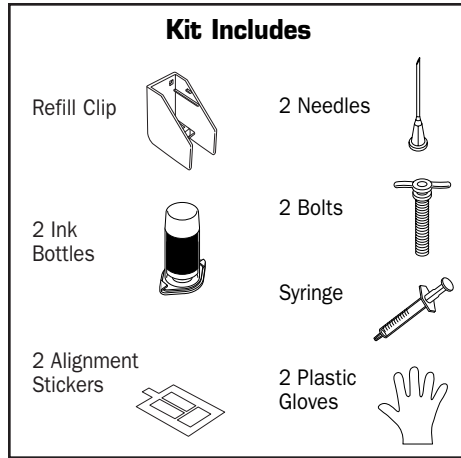
- Do not shake the ink.
- Refill the cartridge as soon as you get a low ink message.
- Avoid touching the metal parts of the cartridge with your hands. They are sensitive and can be damaged easily.
- In some instances, it may be possible to salvage an old dried-out cartridge by soaking the print head in warm water for a few minutes. Wipe off the excess water with a paper towel.

Set Up:

Clear a work area on a flat surface away from curtains or upholstery. Spread out an old newspaper or magazine to work on. Have some paper towels handy. Remove the contents of the refill kit from the box. You may use the plastic gloves to protect your hands from any stains if ink spills. Wash hands with soap and water if ink spill occurs. Stains will wear off skin in a day or two.

Instructions:

1. Place the alignment sticker over the top of the cartridge. **Figure A**
2. Place the cartridge in the refill clip with the print head seated on the black rubber gasket. **Figure B**
3. Snap the orange plastic bottom onto the ink bottles. **Figure C**



3. Place the needle on the ink bottle. **Figure D**
4. Insert the needle through the alignment sticker and into cartridge. **Figure E**
5. Place the bolt in back of the ink bottle and screw it in. Slowly fill the cartridge with ink. An empty cartridge will take about 10 ml of ink. If ink appears at fill hole, stop filling, cap ink bottle, and wipe away excess ink with a paper towel. **Figure E**
6. Remove possible trapped air from print head. Insert the syringe as shown (without needle) and withdraw the plunger until about one half milliliter of ink appears. **Figure F**

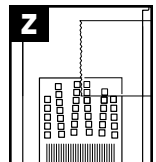
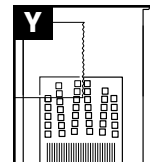
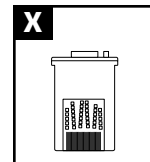
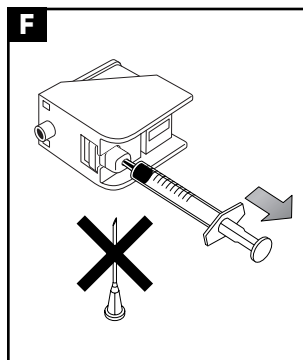
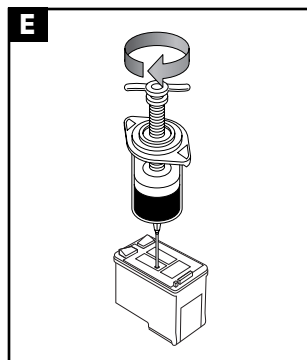
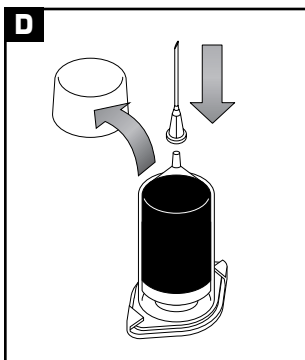
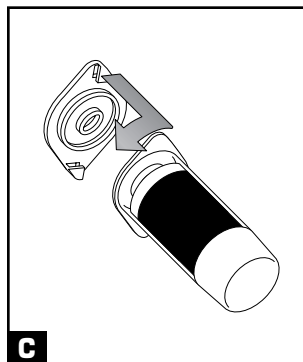
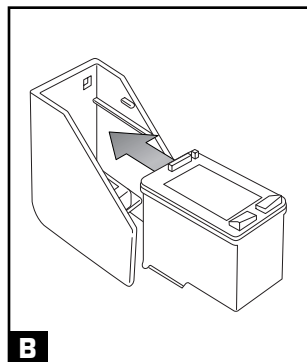
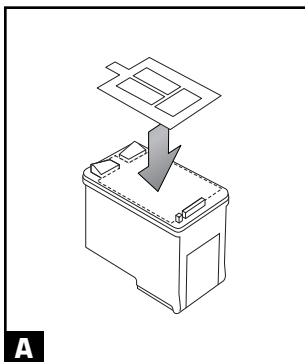
7. Remove the cartridge from the refill clip, wipe any excess ink away with a paper towel and install the cartridge in your printer for use.

Cartridge Reset Instructions

Some printers, such as the Deskjet 5550, will show your cartridge as empty even after you have refilled it. After a number of prints the electronics will not allow the cartridge to function. You can reset the cartridge to full, before or after refilling, using the following procedure.

- Step 1:** Hold the cartridge with the electronic contacts facing you. **Figure X**
- Step 2:** Place some clear plastic office tape over the top 4 contacts on the left. Do not cover any other contacts. **Figure Y**
- Step 3:** Place the cartridge in the printer and close the lid. Wait for it to run a cartridge alignment test sheet. This might take a couple of minutes. If your printer does not automatically run the cartridge alignment, you can do so manually. See owners manual for printer.
- Step 4:** Remove the cartridge from the printer and remove the tape that is over the left 4 contacts. Place a piece of tape over the top 3 contacts on the right side of the cartridge. Do not cover any other contacts. **Figure Z**
- Step 5:** Place the cartridge back in the printer and close the lid. Wait for it to run a cartridge alignment test as in step 3.
- Step 6:** After the cartridge alignment is complete, take the out of the printer again and remove the tape completely. Place it back in the printer and run cartridge alignment test for the 3rd time. Now your printer sees the cartridge as a new cartridge. When it tells you the cartridge is running low on ink it will be accurate.

Please read instructions before refilling. Not all steps are pictured.



WARNING: Keep out of reach of children and pets. Needles are sharp and can cause injury – handle with care. Always store needle in plastic cover for safety.

Emergency First Aid Procedures

Swallowed: Do NOT induce vomiting. Call a doctor and contact local poison control center immediately.

Eye contact: Flush eyes thoroughly with water.

Skin contact: Wash contaminated areas with soap and water.